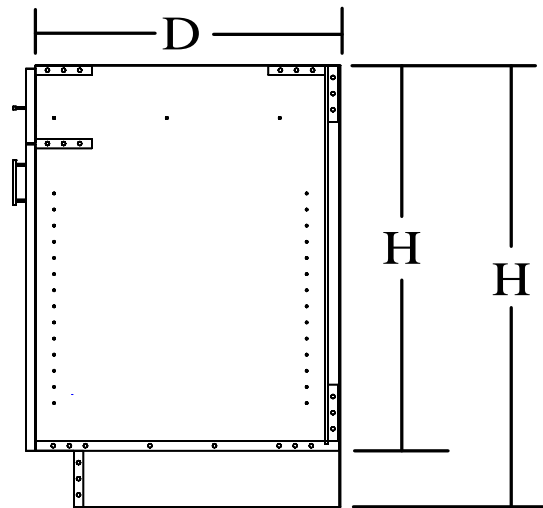




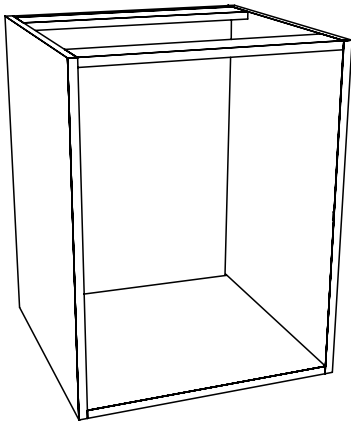
BASE CABINETS

1. Stretchers, Solid Top, Full Tops available
2. Custom Sectioning available
3. Adjustable or Fixed Shelves
4. Specify Finished Ends and Scribe
5. Cabinets available any size
6. Cabinets available any material
7. Solid backs available in 1/4", 1/2", 3/4"
8. Solid backs are rabbited in +1/16"
9. Integral Toe is available (Specify Ht and Depth)



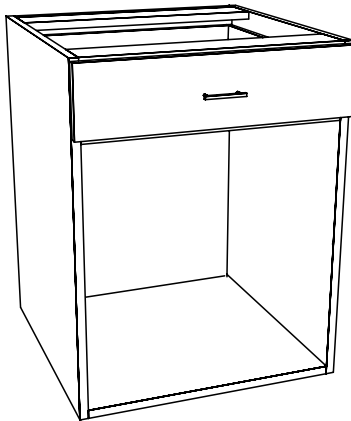
* When Integral Toe is specified, you must specify toe height, and knotch depth

B0D



Base - 0 Door

B0D1D



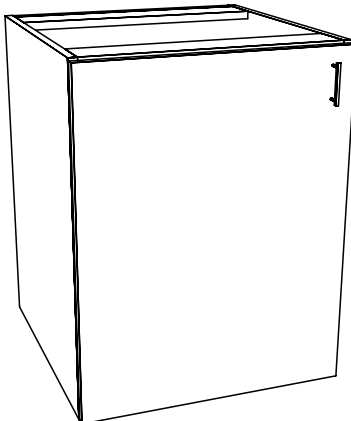
Base - 0 Door, 1 Dwr

B0D2D



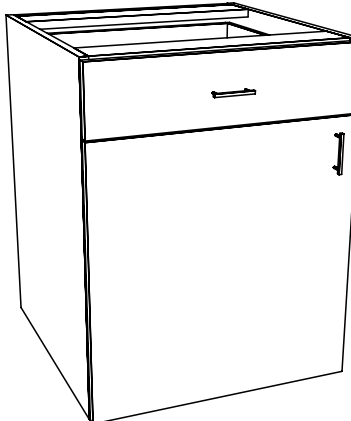
Base - 0 Door, 2 Dwr

B1D



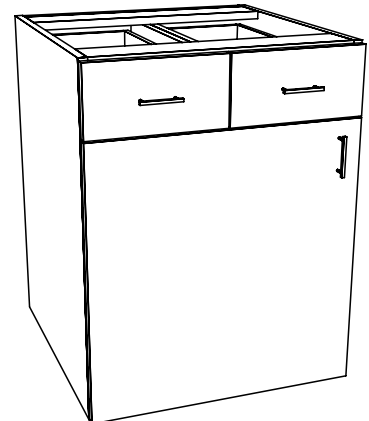
Base - 1 Door

B1D1D



Base - 1 Door, 1 Dwr

B1D2D

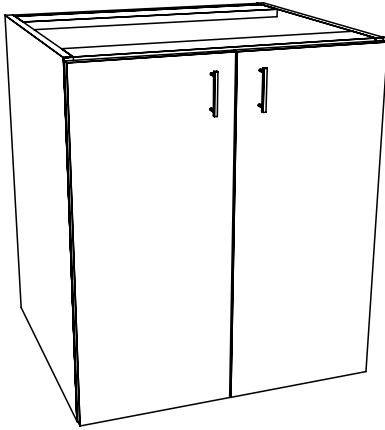


Base - 1 Door, 2 Dwr



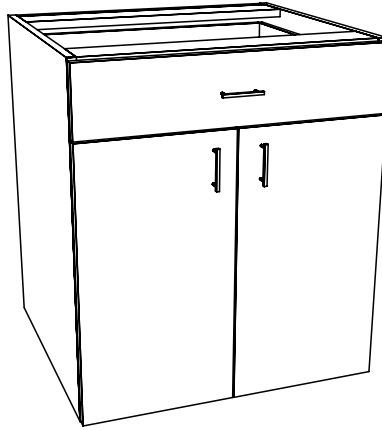
BASE CABINETS

B2D



Base - 2 Door

B2D1D



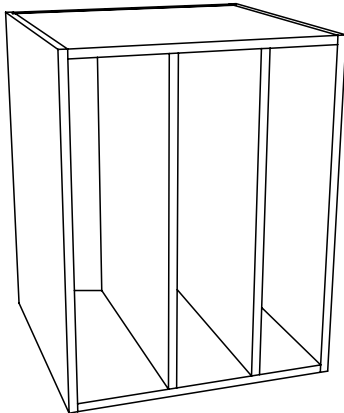
Base - 2 Door, 1 Dwr

B2D2D



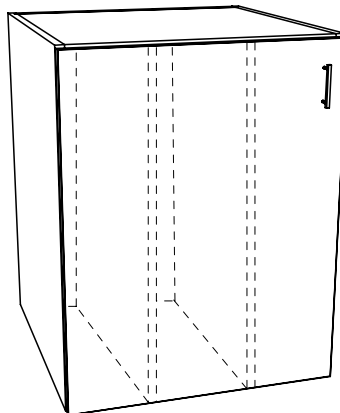
Base - 2 Door, 2 Dwr

B0DVP



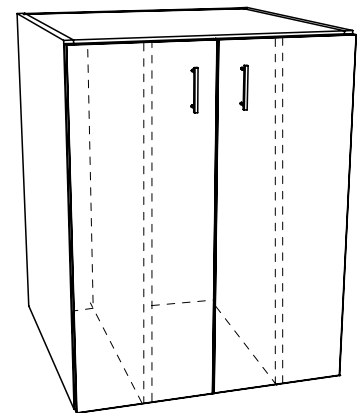
Specify Left / Right Openings
Base - 0 Door, 2 Vert. Partitions

B1DVP



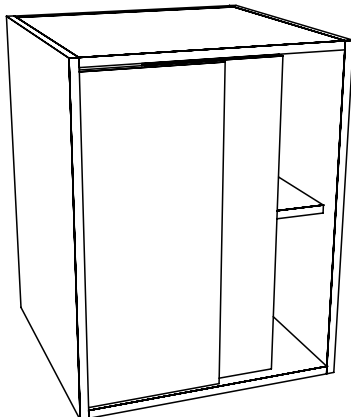
Specify Left / Right Openings
Base - 1 Door, 2 Vert. Partitions

B2DVP



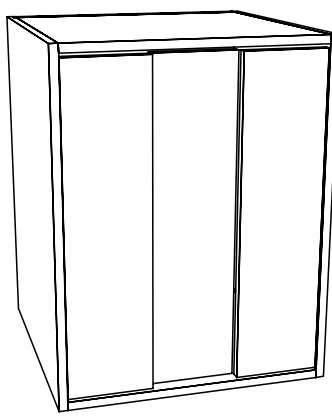
Specify Left / Right Openings
Base - 2 Door, 2 Vert. Partitions

B2SD



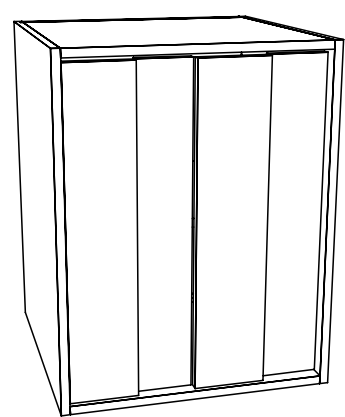
Base - 2 Slg Door, 1 Divider

B3SD



Base - 3 Slg Door, 2 Divider

B4SD

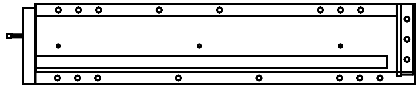


Base - 4 Slg Door, 3 Divider



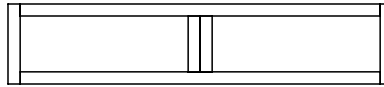
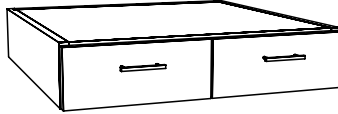
BASE CABINETS

KD1D



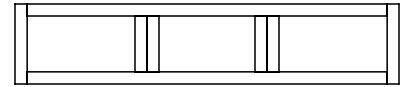
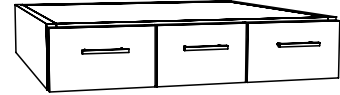
Bottoms and Backs are Optional
Full Tops Only On K.D. Cabinets
Knee Desk - 1 Drawer

KD2D



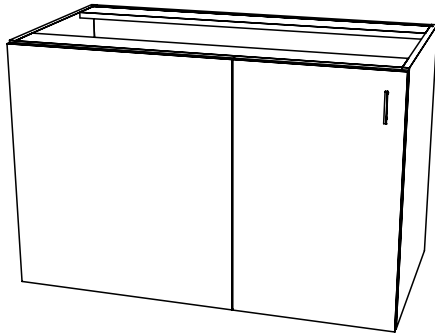
Bottoms and Backs are Optional
Full Tops Only On K.D. Cabinets
Knee Desk - 2 Drawer

KD3D



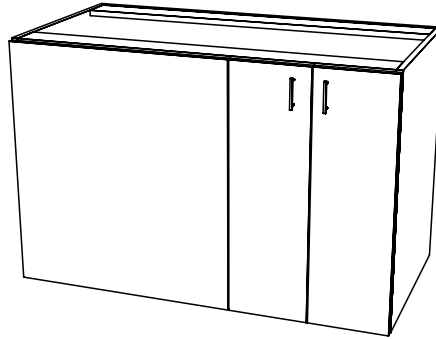
Bottoms and Backs are Optional
Full Tops Only On K.D. Cabinets
Knee Desk - 3 Drawer

BB1D0DL / BB1D0DR



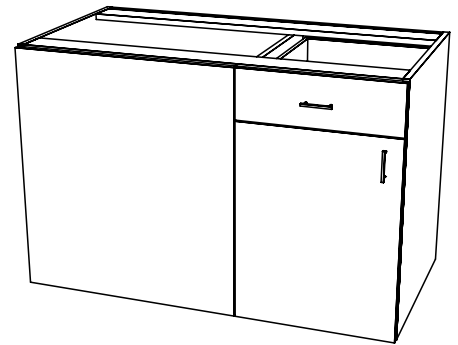
Specify blind panel width, surface or inset
Base Blind - 1 Door, 0 Dwr

BB2D0DL / BB2D0DR



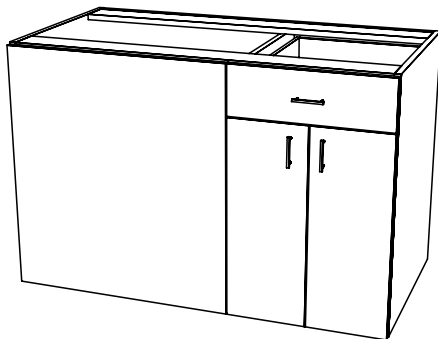
Specify blind panel width, surface or inset
Base Blind - 2 Door, 0 Dwr

BB1D1DL / BB1D1DR



Specify blind panel width, surface or inset
Base Blind - 1 Door, 1 Dwr

BB2D1D



Specify blind panel width, surface or inset
Base Blind - 2 Door, 1 Dwr